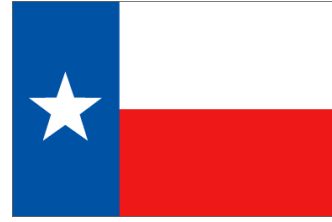




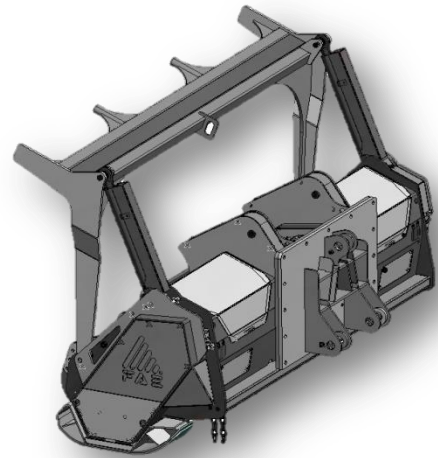
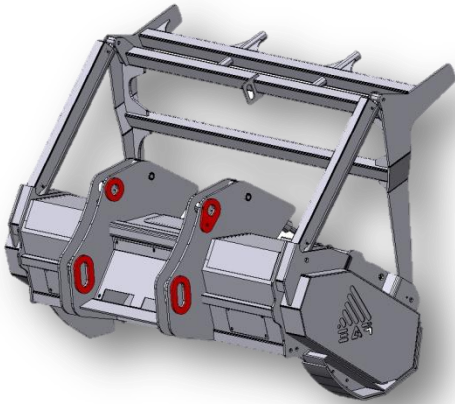
Attachment designed specifically for high abrasive TX environment



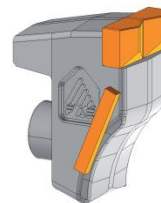
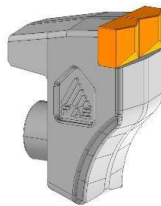
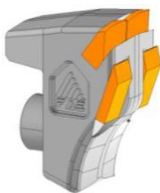
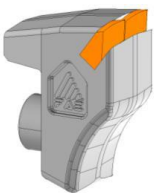
200/U TX

Forestry mulcher for special built hydraulic driven Prime Movers with power range between 180 and 250 HP.

Standard equipment: Dual side transmission, hydraulic hood, customized hydraulic transmission, hydraulic controlled guide frame.



| Model | Power HP Min-Max | Requirements Flow gal/min Min-Max | Pressure PSI Min-Max | Working width inches | Overall width inches | Weight lbs | Grinding diameter inches (max) | Teeth Qty Type C+ C/SS |
|---------------------|---------------------|---|-------------------------|----------------------------|----------------------------|---------------|--------------------------------------|------------------------------|
| 200U/ 200 TX | 180-250 | 75-100 | 3000-5000 | 97 | 60 | 5,600 | 14 | 42+2 |
| 200U/ 225 TX | 180-250 | 75-100 | 3000-5000 | 59 | 107 | 6,170 | 14 | 46+2 |



Tooth type C (Standard)

Tooth type C/SD (Option)

Tooth type STCL (Option)

Tooth type C/SS (side scraper)





NEW Heavy duty prime mover forestry mulcher

New body contains Weldox steel to improve strength and durability



We use Hardox steel in areas exposed to wear

